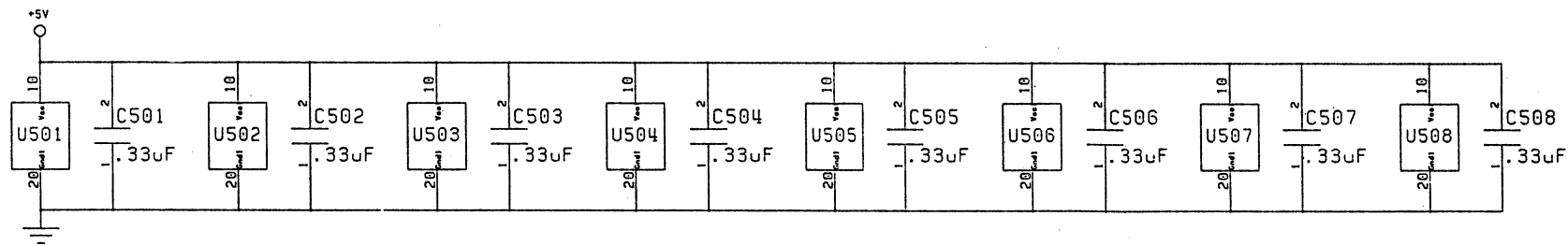
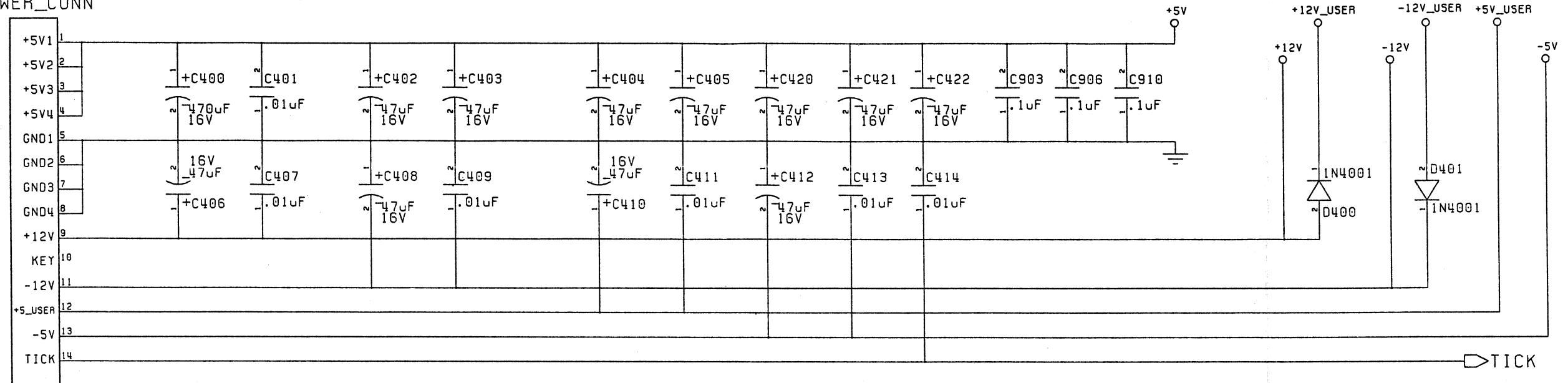
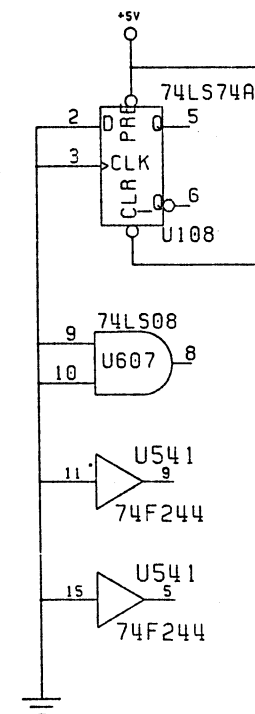
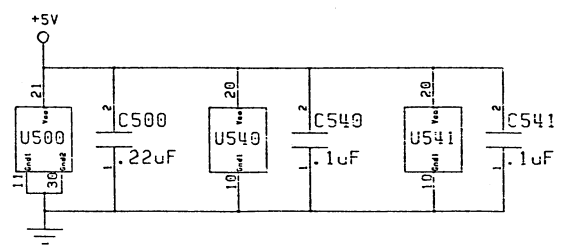
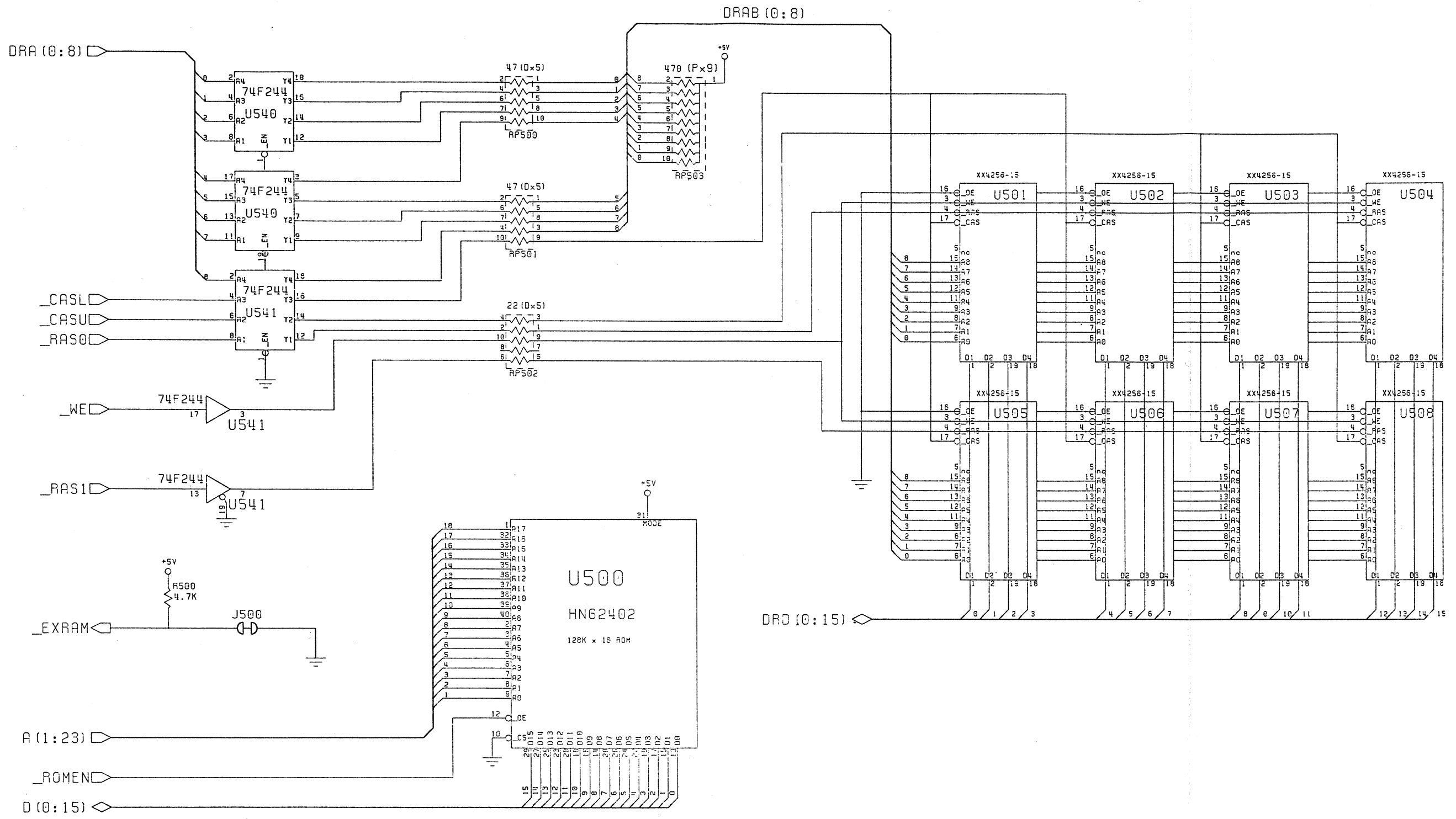


CN400
 POWER_CONN



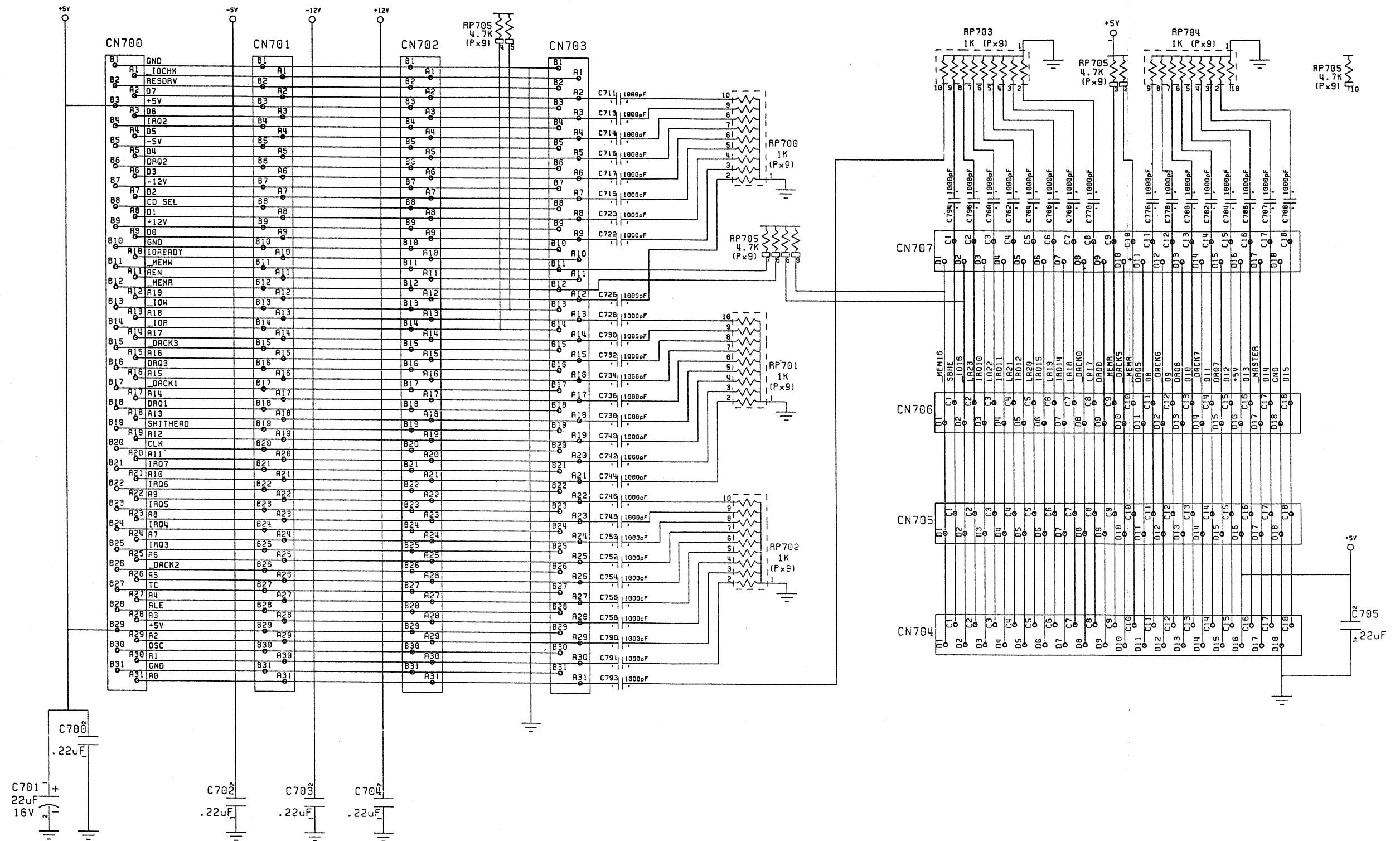
SPARES

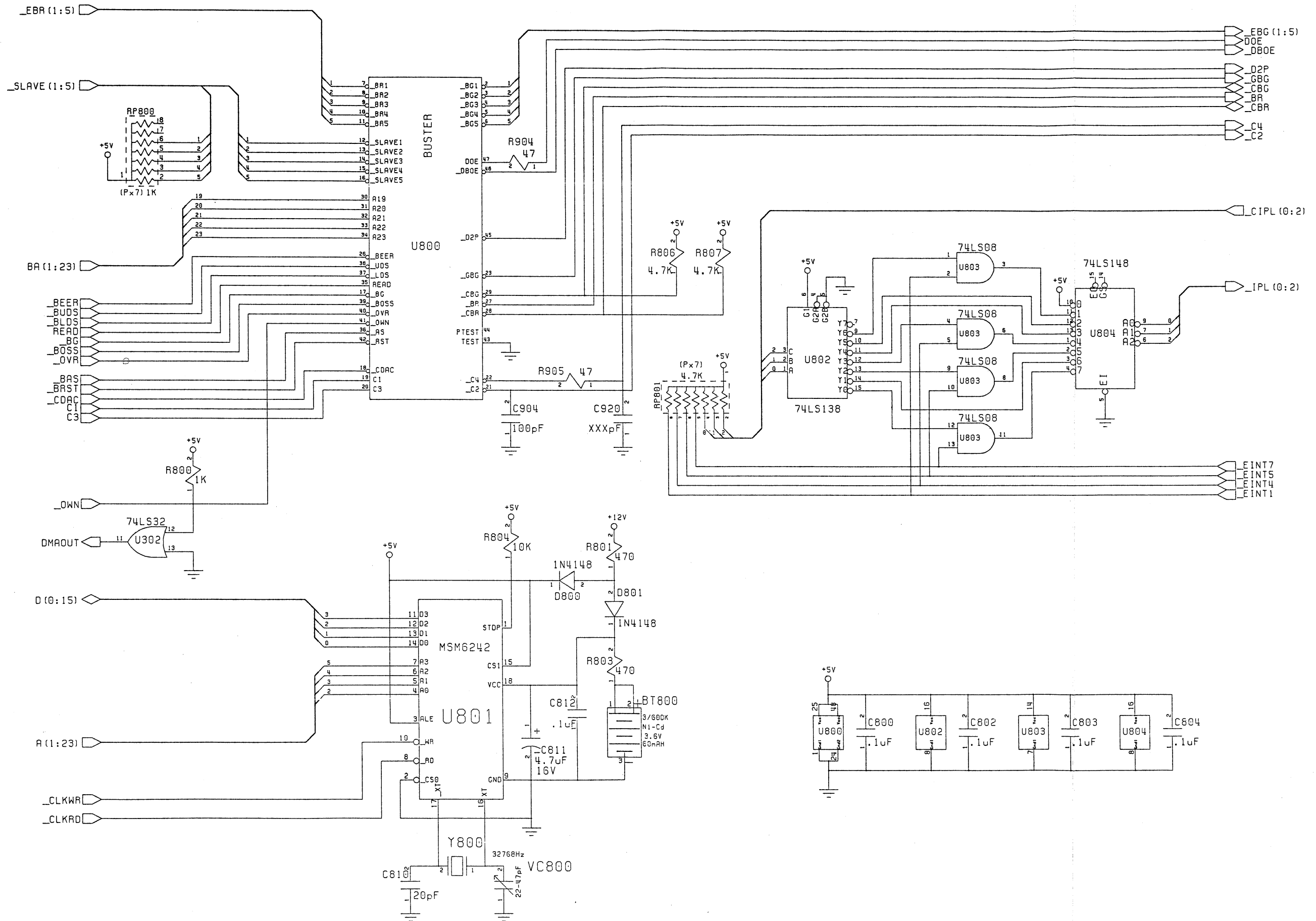


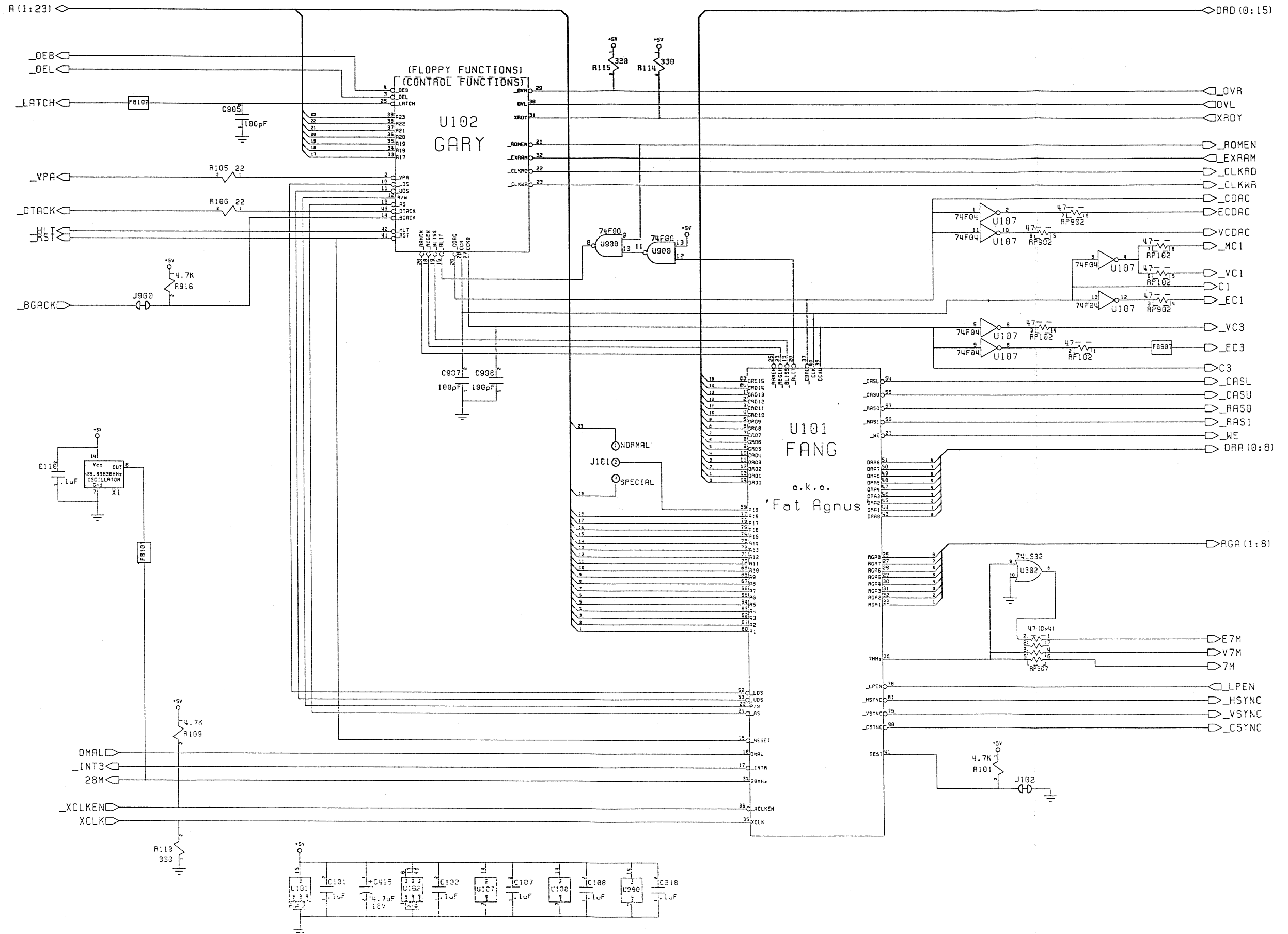


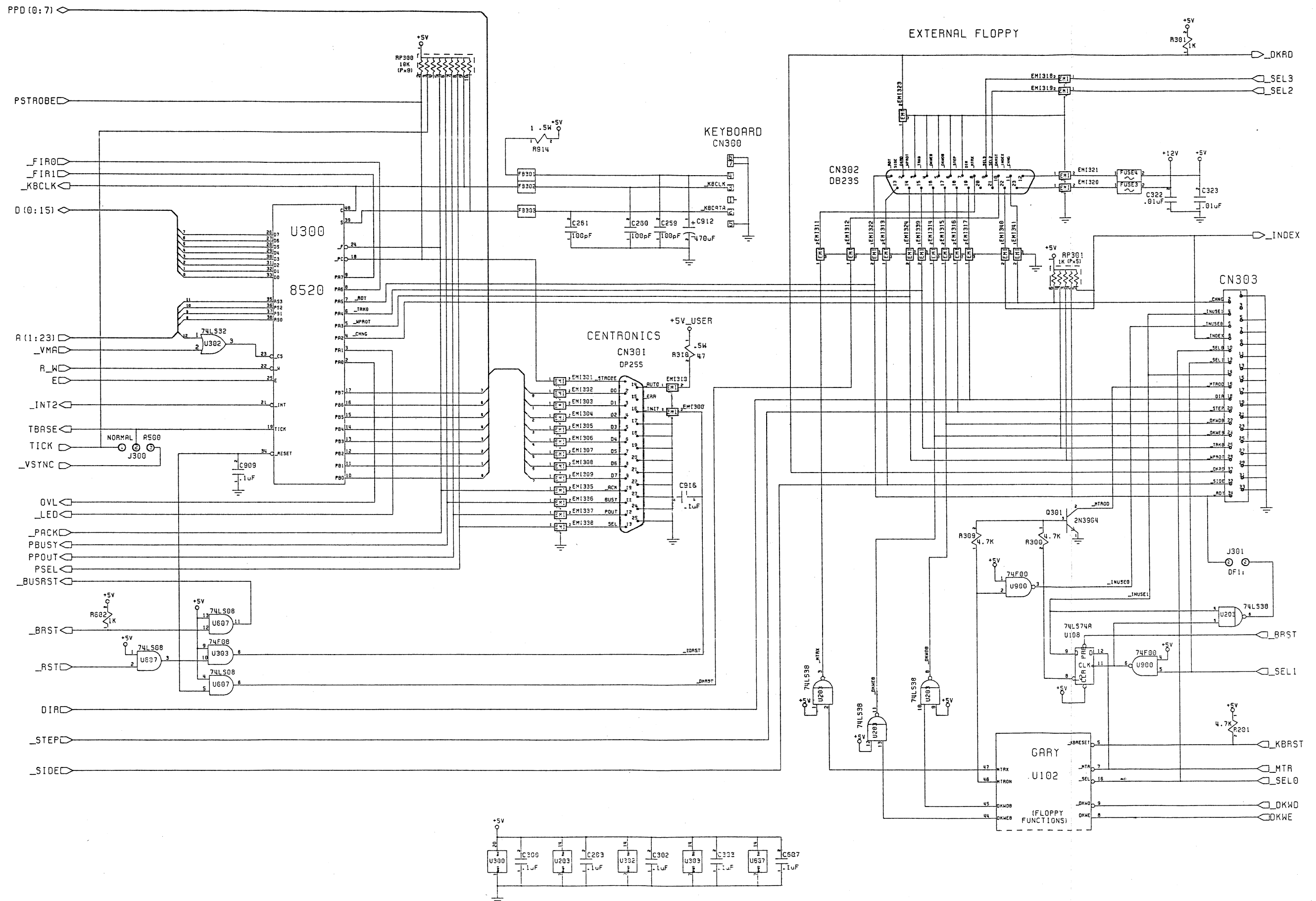
IBM 8 BIT EXPANSION BUS

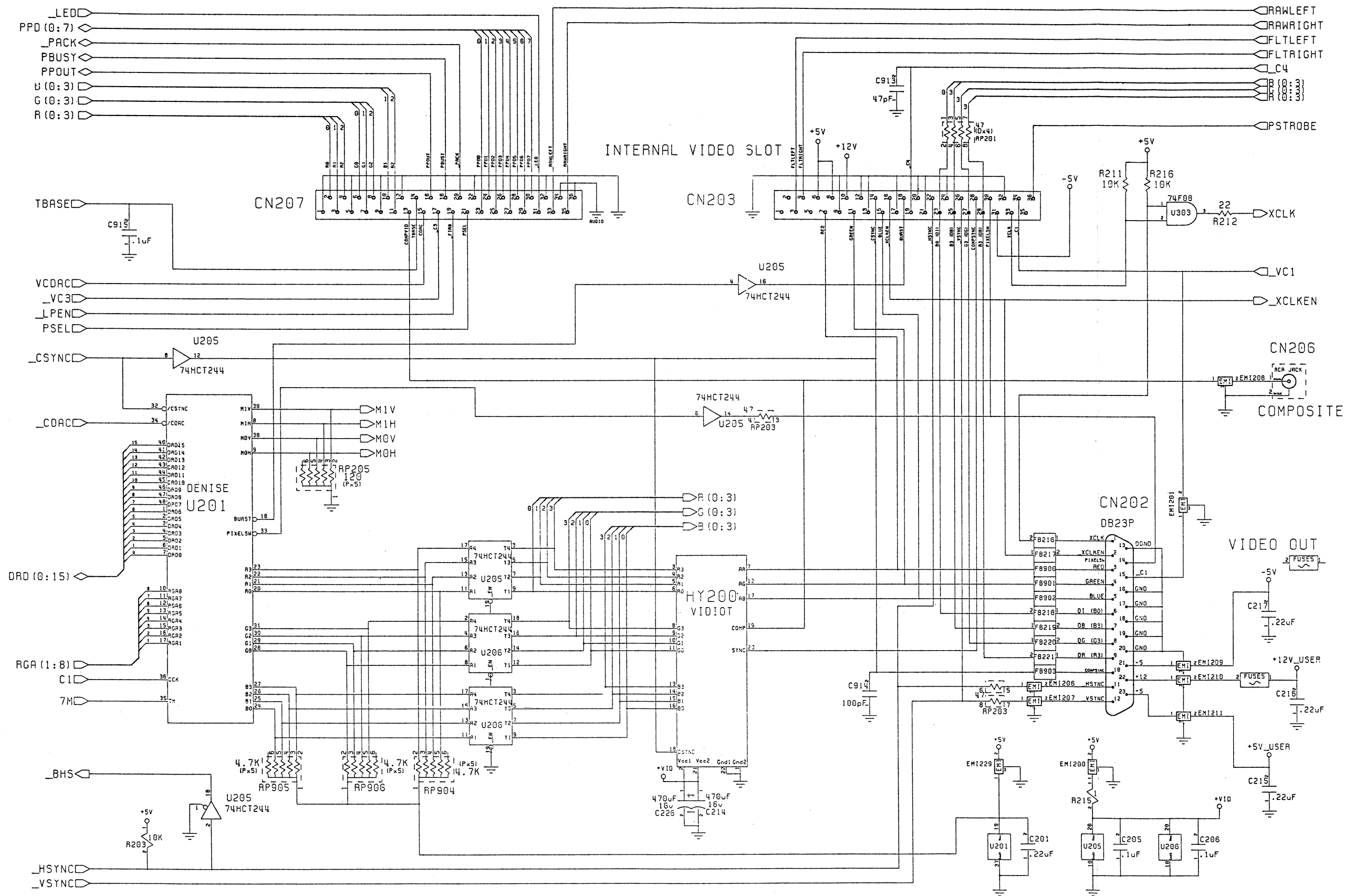
IBM 16 BIT EXTENDED BUS









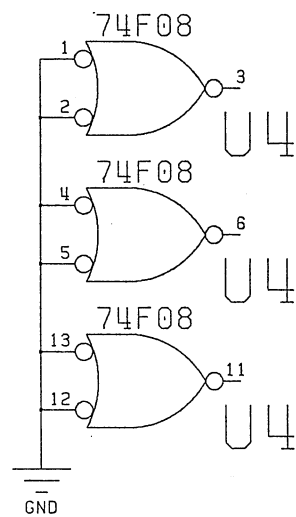


Note:

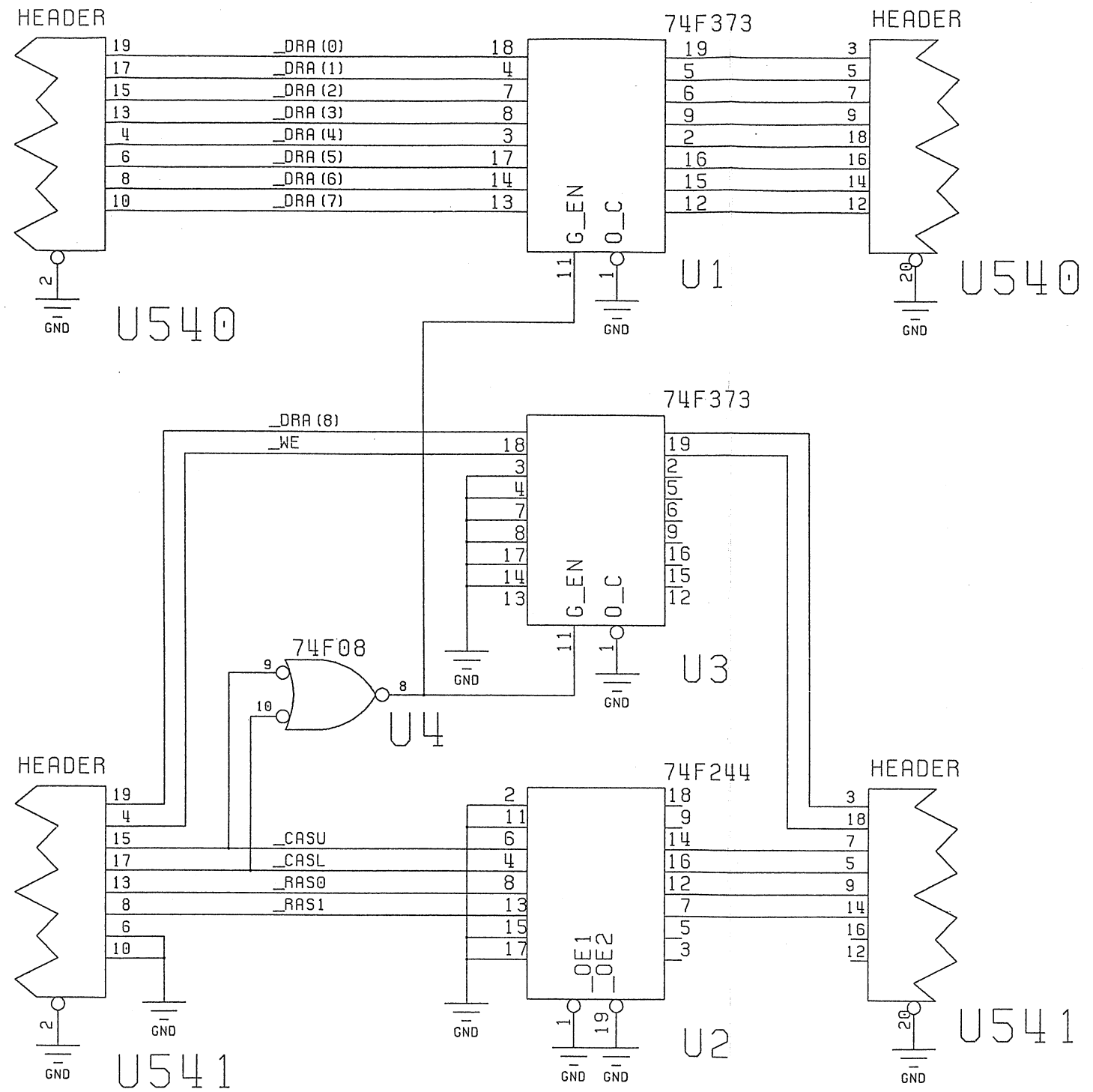
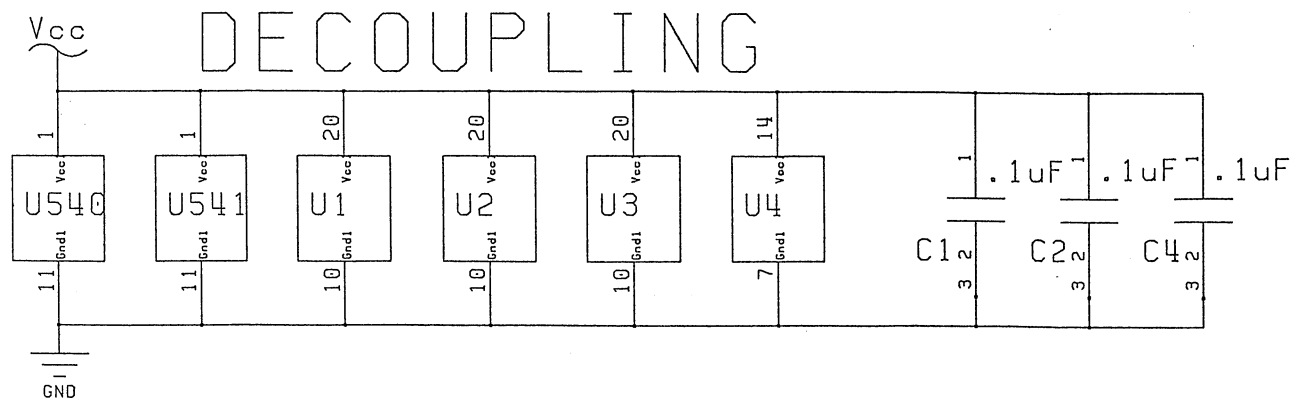
This tower is assembled separately with DIP headers in positions U540 and U541 and inserted upside-down in the location for U540 and U541 on the B2000 Rev 6 PCB.

The pinouts for U540 and U541 are thus reflections of the main board pinouts...

SPARES



DECOUPLING



A2000 Tower